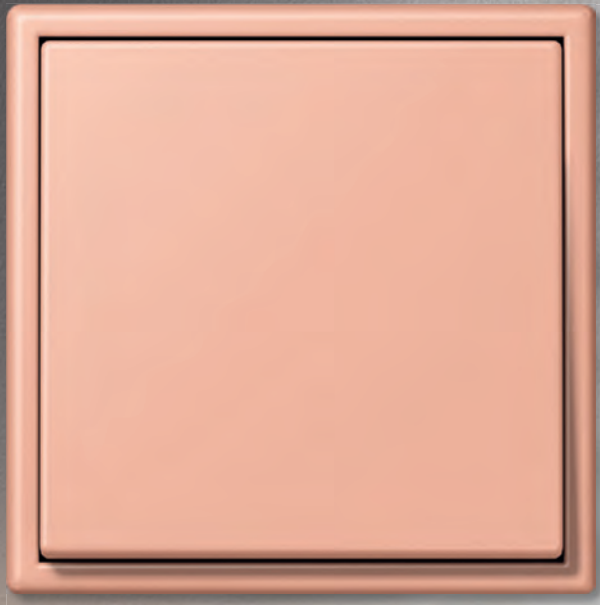


JUNG

Living inspiration



EN



MADE IN GERMANY SINCE 1912





# Living inspiration

This insight into the JUNG product world gives you an overview of the timeless designs, materials, colours and surfaces of our switch ranges as well as a selection of the many different solutions for intelligent control of the home.

Get inspired!

## JUNG

|                       |   |
|-----------------------|---|
| Progress as tradition | 4 |
|-----------------------|---|

## DESIGN

|           |    |
|-----------|----|
| LS range  | 8  |
| A range   | 22 |
| CD ranges | 32 |

## SOLUTIONS

|                         |    |
|-------------------------|----|
| Lighting                | 38 |
| Shading                 | 42 |
| Temperature             | 44 |
| Orientation light       | 46 |
| Smart Radio DAB+        | 48 |
| Connection systems      | 50 |
| SCHUKO® socket with USB | 52 |
| International sockets   | 54 |
| Door communication      | 56 |
| Plug & Light            | 58 |

## SMART HOME

|                                  |    |
|----------------------------------|----|
| System overview                  | 60 |
| JUNG HOME                        | 62 |
| eNet SMART HOME                  | 70 |
| KNX                              | 76 |
| Central control                  | 78 |
| Intelligent Voice Control        | 82 |
| Control panels                   | 84 |
| KNX control in the switch design | 88 |
| Wireless operation               | 96 |

## OTHER

|                                |     |
|--------------------------------|-----|
| GRAPHIC TOOL                   | 98  |
| Overview of switch ranges      | 100 |
| Cradle to Cradle certification | 106 |
| AR-Studio app                  | 110 |
| JUNG Social Media              | 111 |





Ernst Paris

Company founder Albrecht Jung



# Progress as tradition

JUNG stands for pure design and future-oriented solutions worldwide. Innovation, passion and precision have been guiding our product developments for more than 110 years. Light, shading, room climate, energy, security, door communication and multimedia – our systems provide the appropriate solution for every requirement.

With 1,600 employees we are present on 5 continents in around 70 countries with 20 subsidiaries and independent sales and partner organisations. Whether private, commercial or hotel construction: Architects and planners worldwide place their trust in the innovative solutions from JUNG. Our building technology can be found in the Reichstag in Berlin as well as in the Hermitage in St. Petersburg or the Shangri-La Hotel in Singapore.

We consciously combine this internationality with close ties to the headquarters of our family business in Schalksmühle. We develop and manufacture components for classic electrical installations as well as intelligent systems for building technology. Flow production, small series or manufacture: Our modern production methods meet the highest requirements.

## WE ARE JUNG:

1912

Medium-sized third generation family company



“Made in Germany” for more than 110 years

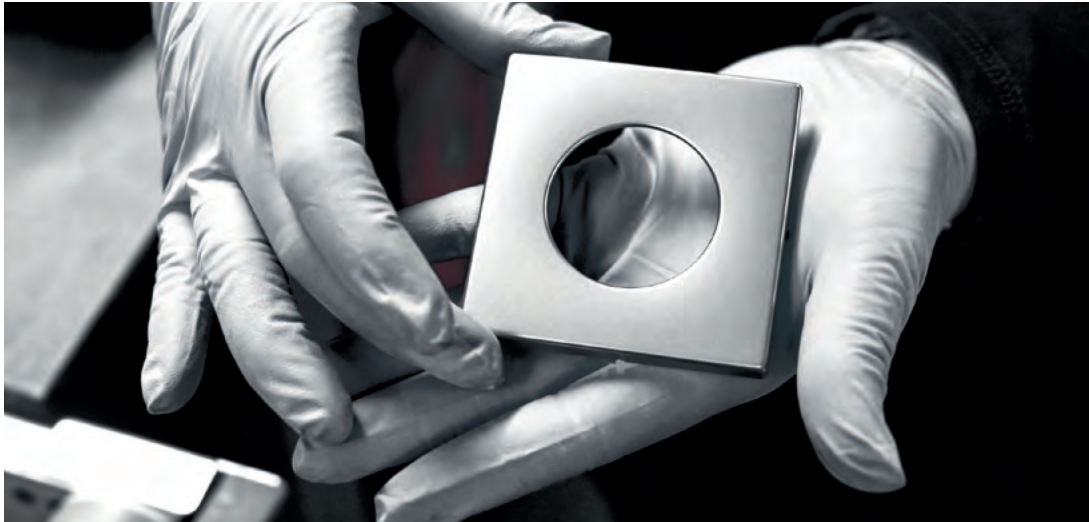


Around 1,600 employees



20 subsidiaries and over 70 agencies worldwide

# Products “Made in Germany” – made with precision



Our products are manufactured at the two company sites in Schalksmühle and Lünen. As a result, JUNG received the certificate “Made in Germany” from TÜV Nord in 2011. With deep roots in the region and a constant employer for many decades, customers throughout the world rely on the continuing high quality. At the same time, we are aware of our high responsibility for sustainable and

energy-efficient production. JUNG has proven its specialist know-how in metalworking for decades. We provide our switch designs in genuine metal. Matt finished or lacquered aluminium, stainless steel blasted with glass beads, brushed brass, chrome-plated metal or with almost 24 carat gold plating – JUNG produces precision switches down to the last detail every day.







# LS range – Time for genuine classics

There are things that never go out of fashion: genuine classics like the designs of the LS range. With their square basic shape, straight lines and clear design language, they fit timelessly and elegantly into any ambience. The selection of high quality materials and surfaces provides all possibilities to realise personal furnishing styles. From surface-mounted installation to individual lacquering to flush-mounted wall and furniture installation.







Dual combination of push-button with SCHUKO® socket with USB A + C in the range LS 990 in matt snow white





Switch in the range LS 990 in stainless steel



# LS 990

## SWITCH / SOCKET COMBINATION



in matt snow white

## ROTARY DIMMER



in black

## AUTOMATIC SWITCH



in aluminium

The LS 990 flat switch is the classic among light switches. A slim frame and a maximum operating surface characterise the reduced design. In timeless colours, elegant matt lacquering, made of stainless steel, aluminium, brass, chrome-plated or with exclusive gold

plating – with its timeless aesthetics, the LS 990 has been impressive for more than 50 years. In addition to its purist design, it is mainly its wide range of functions that make the range the favourite whenever high-quality furnishing concepts are required.

# LS 990 in Les Couleurs® Le Corbusier

**ROTARY DIMMER**



Colour: 32031 céruleén vif HBW 30

**2-GANG SWITCH**



Colour: 32011 gris 31 HBW 29

**F 50 KNX PUSH-BUTTON**



Colour: 32033 céruleén clair HBW 52

**SCHUKO® SOCKET**



Colour: 32013 gris clair 31 HBW 49

JUNG sets accents with LS 990 in Les Couleurs® Le Corbusier. What is so special about this colour system is: Le Corbusier has perfectly coordinated the 63 colours and thus made them harmoniously combinable through the entire range. Impressed by the extraordinary appearance, JUNG exclusively provides light

switches in the impressive colours worldwide. The matt surface results from hand lacquering in a special process. Inscriptions using the Graphic Tool are possible. All articles can also be combined thanks to the JUNG modular system.









KNX push-button F 40  
in the range LS ZERO in matt graphite black



# LS ZERO



LS ZERO is the flush-mounted new interpretation of the LS 990 classic switch. Switches, door intercoms and connections for building technology can be integrated almost flowing into the interior – ideal for installation in furniture, brickwork or drywall. With over 200 different inserts, the range provides all options

for modern building control. Elegant in white, precious metal colours or in the 63 colours of Les Couleurs® Le Corbusier. Alternatively, LS ZERO is also available in a version with an installation height of 3 millimetres for flat mounting on wallpaper.

# LS CUBE

## SWITCH / SOCKET COMBINATION



in stainless steel

## SWITCHES / PUSH-BUTTONS



in white

## F 40 PUSH-BUTTON, 4-GANG



in aluminium

With LS CUBE, JUNG provides a modern surface mounted variant of the LS 990 design classic. LS CUBE is the optimal solution if there is no possibility of flush mounting or if surface-mounted installations are to be used as a deliberate stylistic device. The striking design of the range is ideal for open spaces

with loft character. LS CUBE particularly stands out aesthetically on exposed concrete and natural stone. But the range also looks good on rustic wooden beams. LS CUBE is available in numerous colour and material variants; the functional diversity of the range also leaves nothing to be desired.











# LS1912<sup>®</sup>



As a homage to the JUNG switches of the early years, the toggle switch LS 1912 brings the mechanics of switching to life in a new way. The switch mechanism is designed so that the cover closes flush with the frame. Only the toggle lever rises out of the unit as a style element. JUNG transfers the many years of experience in metalworking into an elegant selection of materials – from aluminium, via stainless steel and brass to chrome. In keeping with the

character of the material, the shape of the toggle lever is designed as a cylinder, cone or cube. The versions with matt colours are particularly suited to timeless and above all minimalist interior design. In the version with indicator lamp, an LED in the toggle lever indicates the switching status or provides orientation. The LS 1912 range can be seamlessly integrated into the JUNG systems for smart building control.



## LS PLUS

The expressive LS PLUS range sets standards in elegance and aesthetics. The conspicuously wide frames in real glass in the colours white, black and soft white, together with the large-surface rockers, create a look that is surprisingly different.





## LS DESIGN

The frames of the LS DESIGN programme made of high-quality metal or plastic appear extraordinarily light. A discreet shadow gap on the rear side makes the difference. Light switches, sockets and push-buttons appear to float on the wall. The JUNG modular principle provides numerous possibilities to individually combine the components of the LS DESIGN range.





## A range – Creativity demonstrates diversity

Set accents in the room: The modern A range provides a wealth of interesting ideas in form, colour and material that fit into any interior.











SCHUKO® socket with USB type C and JUNG Quick Charge® function in the range A 550 in black



# A 550

## ROTARY DIMMER



in white

## SWITCHES/PUSH BUTTONS



in matt graphite black

## SCHUKO® SOCKET



in aluminium look

## F 40 PUSH-BUTTON, 4-GANG



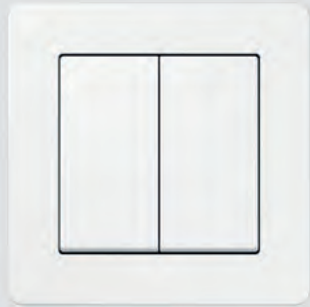
in matt anthracite

Concentrated on the essentials, A 550 is impressive due to a minimalist and striking design. The linear, uncompromising look of the range stands for a clear design language and perfectly complements modern furnishing

styles. In aluminium look, anthracite, black and white, and particularly in the elegant matt graphite black and matt snow white lacquers, the A 550 range sets accents.

# A FLOW

**2-GANG PUSH-BUTTON**



in white

**JUNG HOME PUSH-BUTTON 1-GANG**



in black

**F 40 COMPACT ROOM CONTROLLER**



in aluminium look

**F 50 PUSH-BUTTON, 4-GANG**



in matt anthracite

JUNG, modern and adaptable: A FLOW remains stylish even if tastes change. With its light, harmonious design, A FLOW blends confidently into different interior styles.

The range is available in aluminium look, anthracite, black and white, and in the matt graphite black and matt snow white colours.





KNX push-button F 40  
in the range A FLOW in matt graphite black



Switch in the range A CREATION  
with glass frame in white



# A CREATION

**F 40 PUSH-BUTTON, 2-GANG**



in mocha

**SWITCHES / PUSH-BUTTONS**



with glass frame in champagne

**F 50 PUSH-BUTTON, 4-GANG**



with glass frame in white

**SCHUKO® SOCKET WITH USB PORTS**



in white

A CREATION is impressive thanks to its expressive design and wide choice of materials. In addition to coloured plastic frames made of duroplastic and breakproof thermoplastic,

A CREATION is also available with frames made of real glass. Due to its wide range of functions, the range covers all areas of modern electrical installation effortlessly.

# AS 500

## SWITCH / SOCKET COMBINATION



in white

## ROTARY DIMMER



in white

## KNX F 40 PUSH-BUTTON 3-GANG



in white

In addition to the harmonious lines of the AS 500 in ivory and white, the diffraction of the rocker surface creates a visual accent. The application spectrum includes all techni-

cal possibilities of advanced electrical installation. The protection level IP 44 is ensured with sealing gasket. AS 500 made of breakproof thermoplastic is also available.





Switch in the range AS 500 in white



## CD ranges – Elegance with no rough edges

Discrete colouring and an organic form define the design of the CD range. A visual special feature is the angling of the rocker surface.









## CD PLUS

Showing its colours is not difficult here. CD PLUS leaves almost nothing to be desired with its wide range of colours. With five frame sizes (1 to 5-gang) in three colours and two different applications each in eleven colours, numerous combinations are possible, giving each room its own unique switch colour concept.





## CD 500

With CD 500, form, colour and function form a perfect unit that can be easily integrated into any living space. Six different subtle colours in plastic and two anodised colours in aluminium provide a great variety. In addition, the range has a visual peculiarity due to the angled rocker surface, which makes the switch a special accessory.







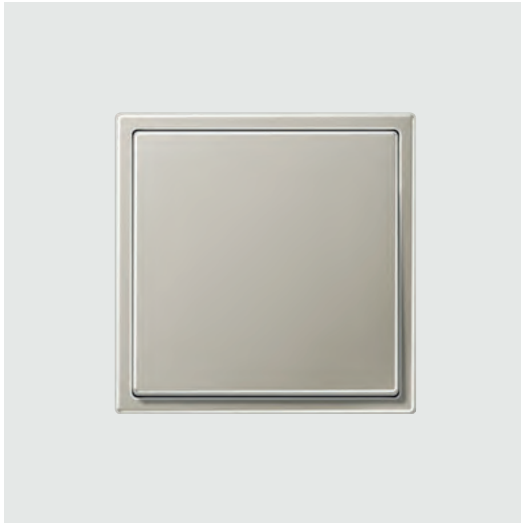


## Living comfortably at home

Switches should not only look good, they also have to perform quite a lot. JUNG manages to bridge the gap between sophisticated design and advanced technology in an exemplary manner.

# Lighting control

Show your home in its true light and operate or dim the lighting according to your needs: manually, or automatically to save energy.



## LED UNIVERSAL TOUCH DIMMER

One for all: The LED Universal touch dimmer dims and switches all common lamps safely and conveniently. That is fit-for-the-future dimming convenience.



## LED UNIVERSAL ROTARY DIMMER

The LED Universal rotary dimmer switches and dims all common lamps – reliably and in next to no time.



## LED UNIVERSAL 2-GANG DIMMER

Switch and dim two luminaires independently from each other by pressing a button: Individual switch-on values can be saved separately for each LED lamp or lamp group.



## MOTION DETECTOR

Light when needed: The light is only switched on if someone is in the detection range of the motion detector – and afterwards reliably switched off again. That saves energy.









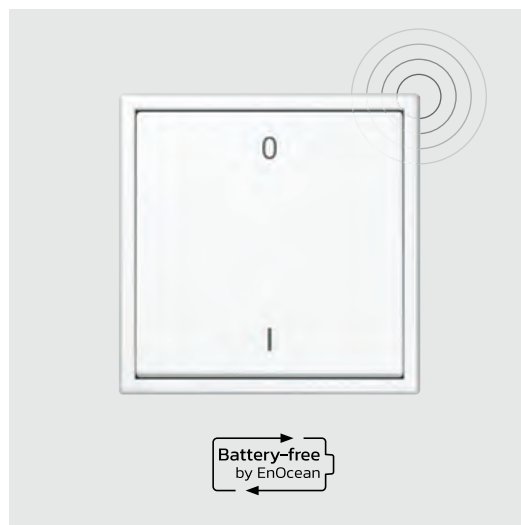
# Illuminate flexibly

Intuitively with a rotary dimmer, push-button or without any cables: control your lighting manually as usual. A large selection enables the control of various lighting solutions from different suppliers in the JUNG design.



## DALI 2

For the regulation of luminaires with DALI-2 interface, JUNG offers button and rotary control devices.



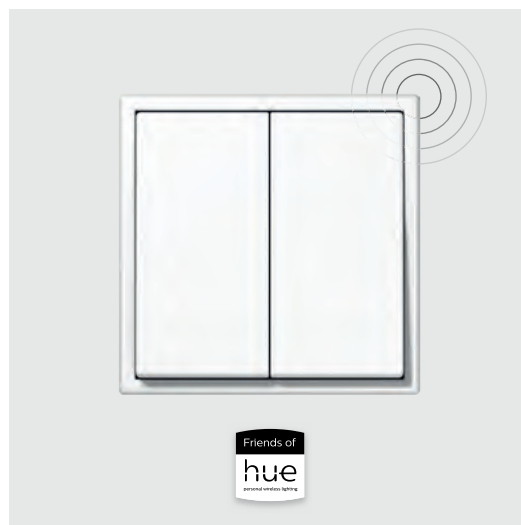
## ENOCEAN

The JUNG radio transmitters with EnOcean technology do not need a cable or batteries.



## BLUETOOTH® LOW ENERGY

Radio transmitters with Bluetooth® Low Energy can be integrated into the digital lighting control from Casambi.



## FRIENDS OF HUE

With these JUNG radio transmitters, the Philips Hue luminaires can be easily controlled.

# Shading control

With JUNG, you are opting for more comfort within your own four walls. To control your shutters, awnings and blinds, JUNG offers you the appropriate solution.



## CONVENTIONAL BLIND PUSH-BUTTON

With a blind switch you can reliably and easily move the shading up and down. Available in all JUNG design ranges and also as a single switch.



## STANDARD CENTRE PLATE

The standard centre plate operates the light or shading manually. The push-button can be actuated at the top, bottom and also full surface. The cover is available with or without symbols.



## TIMER SWITCH WITH DISPLAY

The timer switch with display is suitable for the control of light and shading. The high-quality, real glass surface has an illuminated display and six sensor buttons for operation.





A FLOW  
blind push-button/ SCHUKO® socket  
in matt anthracite





LS 990  
room thermostat  
in stainless steel



# Control temperature

The ideal room temperature depends a great deal on individual perception. An ideal temperature control should therefore above all be flexible. Regulation of the heating for an individual room leads to more efficient use of the heating energy, better adaptation to the individual needs and thus to greater convenience.



## RAUMTHERMOSTAT-DISPLAY

The room thermostat display controls underfloor heating systems and radiators, and allows room cooling in combination with a heat pump system.

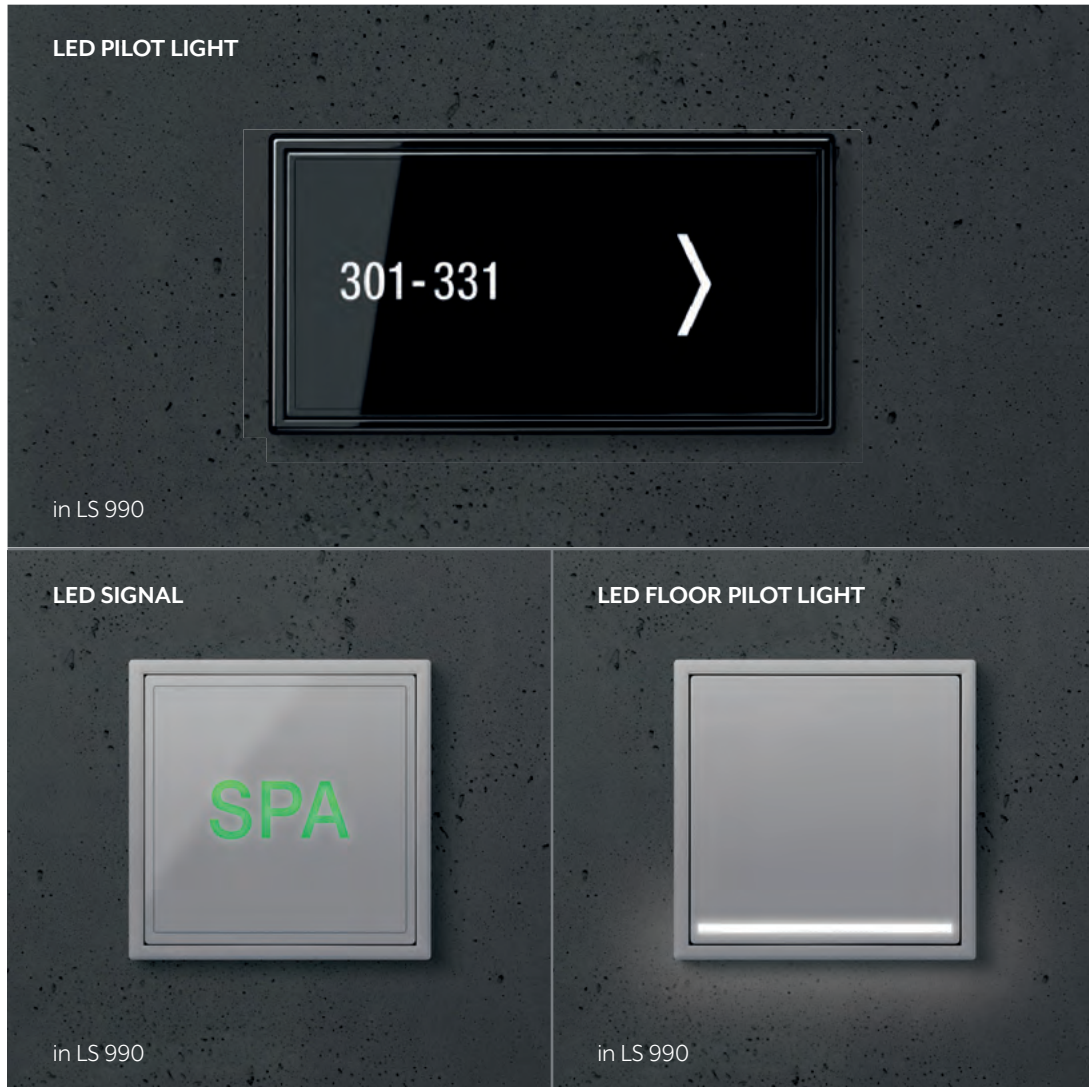


## ROOM THERMOSTAT

The four JUNG room thermostats in the same design as JUNG rotary dimmers offer heating and cooling, ECO mode and temperature drop detection. They also have an LED display and silent switching.

## Safe orientation

With the LED technology, there is an orientation system that is easy to read even in the dark, sets clear signals and effectively shows the way.



The discreet pilot light of the LED socket ensures safe, glare-free orientation in the dark. The LED light is installed flush into the design cover, the neutral white LED shines downwards in a defined light beam. Thanks to the brightness sensor, it only lights when it is dark.

The integrated, increased contact protection is of course also installed here. Low energy consumption, a long service life and absolutely safe: The SCHUKO® socket with LED pilot light is ideal for retrofitting, as it easily replaces the existing socket.





SCHUKO® socket with integrated LED floor pilot light and brightness sensor in the range LS 990





Smart Radio DAB+ Bluetooth mono set  
in the range LS 990 in chrome



# Smart Radio DAB+

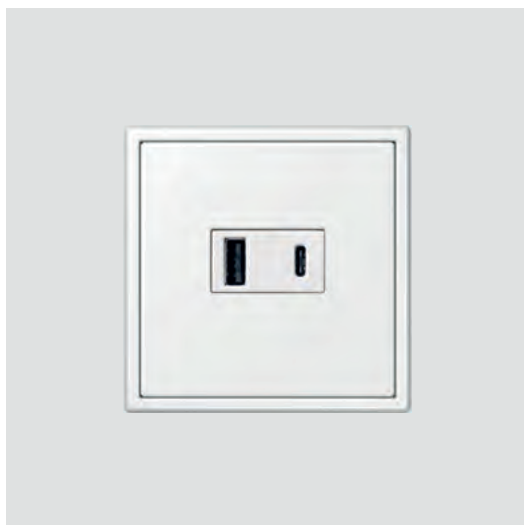


The Smart Radio DAB+ receives programmes via FM and DAB+. It stores up to eight stations per reception mode. Operation is simple. In addition, the Bluetooth version allows streaming of music. The wall (mounting) radio is

optionally available as mono or stereo version. With its real glass front, the Smart Radio DAB+ is also an optical highlight, available in the various frames in the JUNG design.

# Perfect connection

Tablet, smartphone or television have become an integral part of our lives. The JUNG components provide intelligent solutions and always the right connection for these.



## USB CHARGER

The chargers with USB type A and C ports provide flexible connection options with an electrical output of 15 watts.



## CINCH AUDIO (RCA)

Versatile possibilities to enjoy HiFi: this wall box has space for two RCA plugs.



## MULTIMEDIA TERMINALS.

Home cinema, game console and Full HD screen: To avoid cable clutter, there is the multimedia connection system for analogue, digital and mobile end devices.







SCHUKO® socket with USB A + C  
in the range A FLOW in white



# Flexible all-rounder

## SCHUKO® SOCKET



with USB-A in LS 990 in white

## SCHUKO® SOCKET



with USB-C in LS 990 in white

## SCHUKO® SOCKET



with USB-A+C in LS 990 in white

## HIGHEST SAFETY STANDARDS



JUNG SCHUKO® sockets with USB port are tested and certified by VDE.

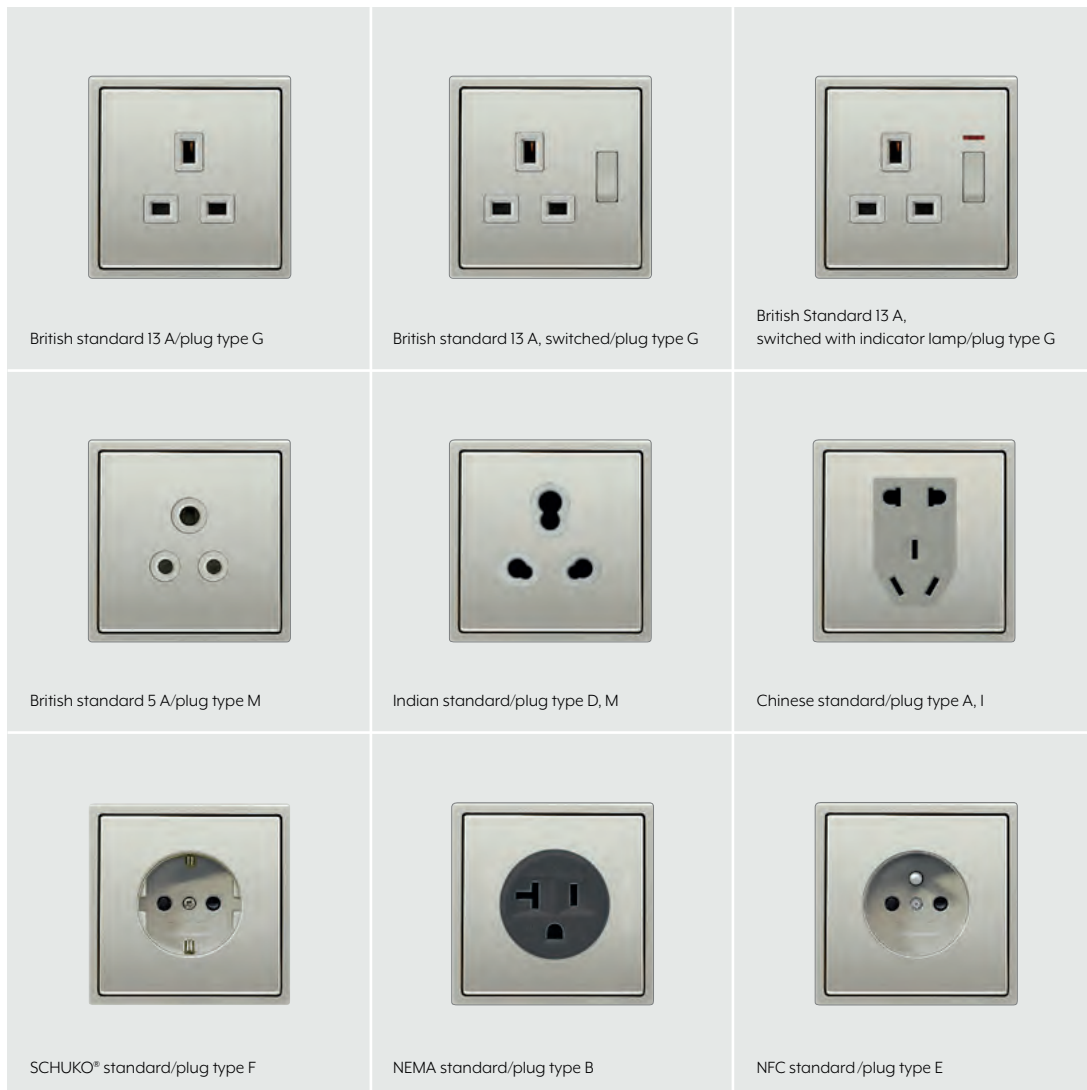
The JUNG SCHUKO® sockets with USB ports, for example, quickly recharge the smartphone, leaving the socket free. The versions with JUNG Quick Charge® have either a USB-A or USB-C

port and are impressive with a charging capacity of up to 18 watts. The sockets with two USB ports (type A and type C) provide particular flexibility.

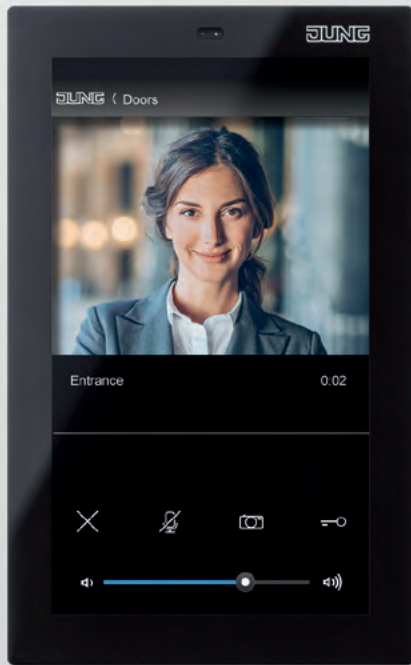




# International socket options



Best worldwide connections: The JUNG modular system provides numerous international socket types according to country-specific standards. The international sockets can be implemented in almost all JUNG design ranges and can also be combined in multiple frames.



**SIEDLE Systemtechnik**  
In-Home

JUNG Smart Control 5 panel



# JUNG door communication

## VIDEO INDOOR STATION



in A FLOW in matt anthracite

## STANDARD AUDIO INDOOR STATION



in A CREATION with glass frame

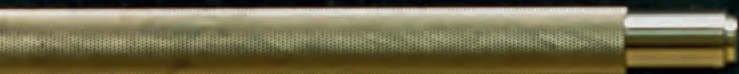
## AUDIO INDOOR STATION



in LS 990 in aluminium

Door communication with high standards: the JUNG video and audio indoor stations in switch design are impressive in their functionality and appearance. Not only do they have a particularly large selection of designs, they are also perfectly compatible with Siedle door

stations thanks to the use of Siedle system technology. The advantages: easy operation and a large, new variety of possibilities. The JUNG indoor stations fit in harmoniously with the rest of the electrical installation in the overall design.





# Plug & Light

Dimmable LED light in the matching switch design. Plug & Light gives you great freedom in lighting design – fast and simple to install thanks to the innovative light socket.



Plug & Light means you can have exactly the right light for every situation. The modern LED system consists of a light socket where the various LED light attachments are plugged in. Without drilling, without releasing terminal strips, without complicated installation.

A magnet holds the Plug & Light light attachment onto the light socket, which supplies the luminaire both with the energy necessary for operation and with the data for the smart functions: the light attachments can be independently and continuously dimmed.

# The smart home- systems from JUNG





From the intelligent socket right up to a completely networked smart home in accordance with the DIN standard: our solutions combine ease of operation and the special JUNG design. Which of the three systems is the right one for you depends on your building plans and your own requirements.

**JUNG HOME smartifies both new buildings and existing ones.**

The system uses the conventional 230 volt installation. Commissioning and operation are achieved very easily using Bluetooth® and the JUNG HOME app – starting from just one socket.



**The flexible, wireless smart-home system: JUNG eNet SMART HOME is installed quickly and cleanly – even when retrofitting.**

The great advantage of the wireless technology is, among others, that no cables have to be laid during installation and thus the walls remain undamaged. In addition, it can be extended at any time. Comprehensive scene control is achieved by using a server.



**KNX networks, controls and visualises all components connected to the control cable decentrally in the building.**

As a proven, worldwide standard, KNX is future-proof and offers alongside automation many possibilities for sustainable and efficient living. KNX is particularly suited to new buildings.



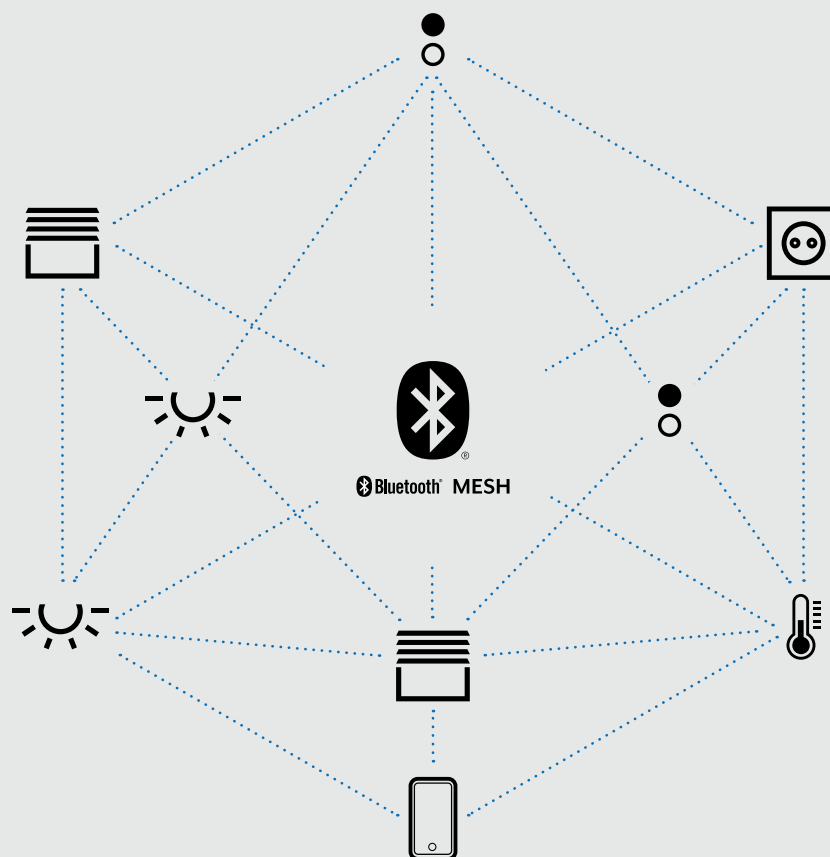




# JUNG HOME. JUST SMART.



TRANSMISSION PATH:  
BLUETOOTH® MESH



You don't have to be an expert to make your home smart. All that is needed is the right technology. Light, shade, temperature: at its core, JUNG HOME consists of system inserts, covers and sockets. Locally networked using Bluetooth® Mesh. Commissioning and operation are carried out with the JUNG HOME app.

# Operating JUNG HOME

**1-GANG PUSH-BUTTON**



**2-GANG PUSH-BUTTONS,  
BATTERY-POWERED**



**MOTION DETECTOR 1.1 M**



**ROOM THERMOSTAT DISPLAY**



In the JUNG HOME, you control the functions with smart push-buttons. The push-buttons are also available as battery-operated versions and can be placed independently of the 230-volt-installation. JUNG HOME is energy-efficient, thanks in part to the motion and presence detectors. The motion detectors

detect in a range of 180 degrees, the presence detectors register movements in 360 degrees. And you can regulate the temperature as well in accordance with your requirements: energy efficient and simply smart. Everything networked using Bluetooth® Mesh and configured simply with the JUNG HOME app.





Richard Yates  
Verzweigte Äpfel  
DVA

Muschelstrand  
Maja Hermandson  
SV

Robert Balfanz  
Der Bohrer  
P&P

Laila Lalami  
Die Anderen  
P&P





# Smart SCHUKO® sockets

## JUNG HOME SCHUKO® SOCKET ENERGY



SAFETY+

## STATUS LED



The LED on the socket is an on-off switch at the same time. It additionally displays the status of the socket.

## JUNG HOME APP



Precise charting per hour or day: the JUNG HOME app displays the exact energy consumption.

With the JUNG HOME SCHUKO® sockets, you reduce your electricity consumption and gain in convenience and safety at the same time. The Energy version measures electricity consumption and thus allows targeted energy management. The smart sockets are switchable using JUNG HOME push-buttons, the

JUNG HOME app or using the LED push-buttons on the socket itself. The sockets have 16 time programs with astro function and automatic summer and winter time adjustment. Furthermore, they have a random function, a run-on time and a switch-on and switch-off delay.

# The JUNG HOME gateway



The JUNG HOME gateway joins the system with the Internet and other services from the IoT world. In this way, you also have control using the JUNG HOME push-button or with voice commands.

The JUNG HOME gateway connects JUNG HOME devices with the myJUNG Cloud using Bluetooth® Mesh. You already have voice control using Amazon Alexa or

Google Assistant. Simply connect it to your router. The wireless communication is also encrypted via the gateway. The gateway has the Mesh repeater function.



# Hello IoT world



The integration of JUNG HOME into systems such as Samsung SmartThings and WORKS WITH mediola® opens up even more networking possibilities for you.

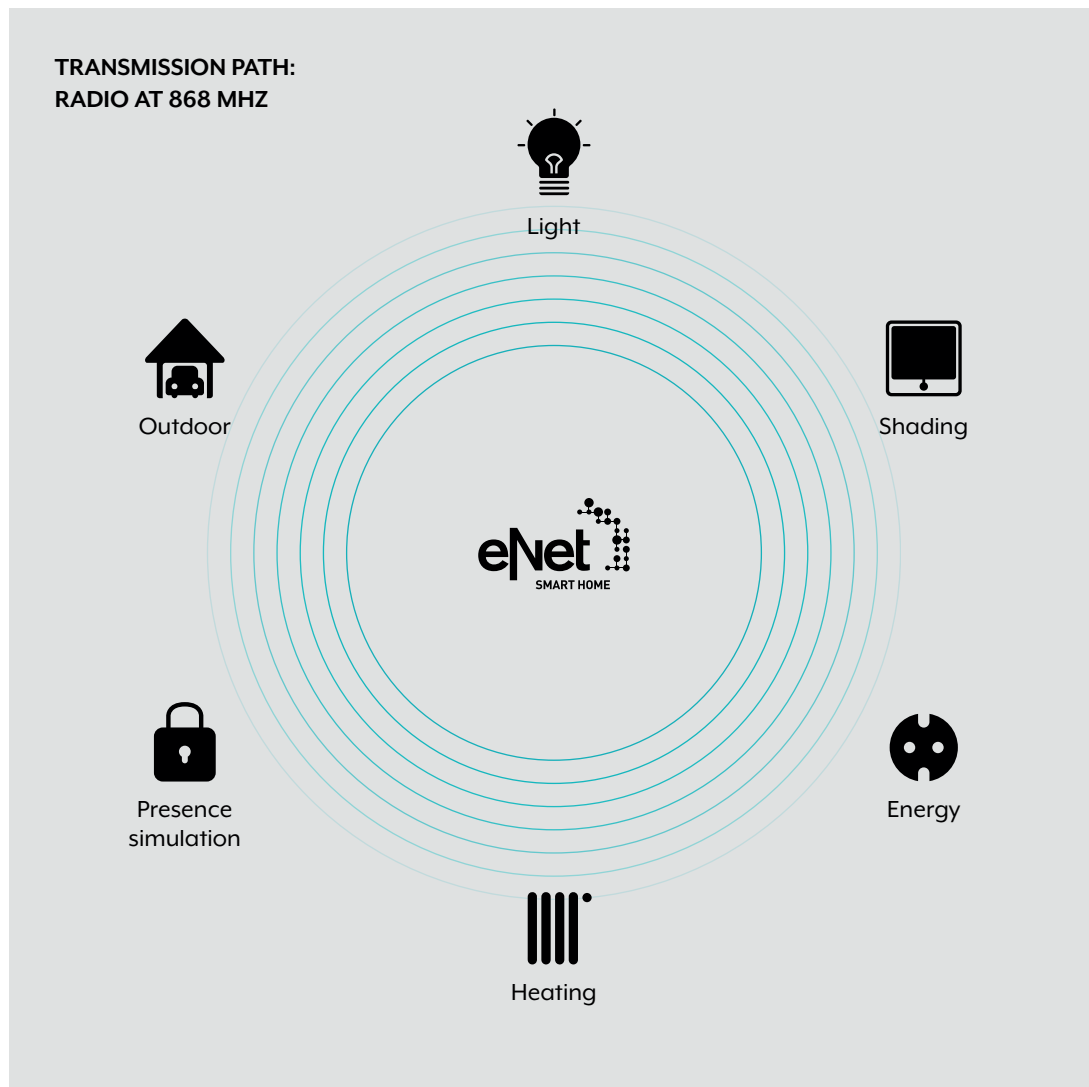
SmartThings involves an app from Samsung that enables smart home elements to be controlled by smartphone, smart watch or voice. This includes intelligent lamps, thermostats and sockets. Products and solutions

from Netatmo, Eltako, VELUX, Schüco, Danfoss, Novoferm, Vaillant, Sonos, Philips Hue and many other providers can be networked with the service from mediola® – everything operated using the JUNG HOME push-buttons.





# eNet SMART HOME



Light, blinds, heating and many other functions can be conveniently controlled with eNet SMART HOME – from home or also on the move with remote access. As the manufacturer-independent system requires no cables, it can be installed quickly without having to lay cables or similar. The eNet server enables comprehensive scene control.



eNet SMART HOME, MARL © PHOTO: ALEXANDER RING



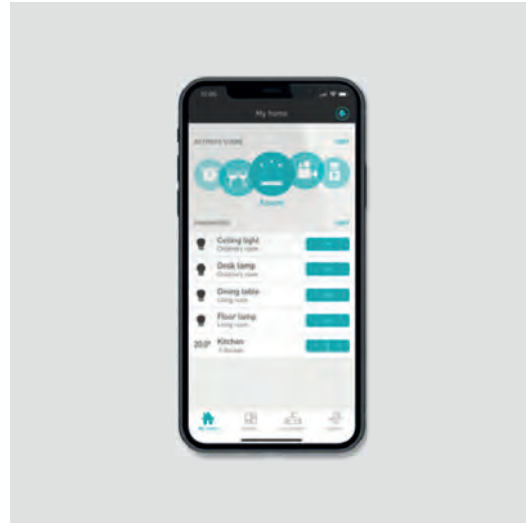
# Control individually

Via smartphone and tablet or via a stationary touch display – with the JUNG eNet SMART HOME App, users have access to the entire building technology at all times. The various functions can be controlled easily and intuitively via a fully encrypted, VDE-certified connection. It does not matter whether you operate JUNG eNet SMART HOME at home on your own WLAN or via remote access on the move.



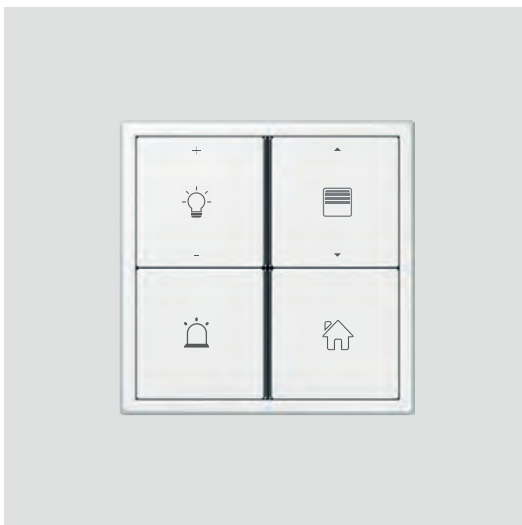
## INTELLIGENT VOICE CONTROL

JUNG eNet SMART HOME is compatible with the Amazon Alexa and Google Assistant voice services.



## eNet SMART HOME APP

At home or on the move: one finger tip is enough. The user interface of the app is adapted to iOS and Android in each case.



## eNet WALL TRANSMITTERS

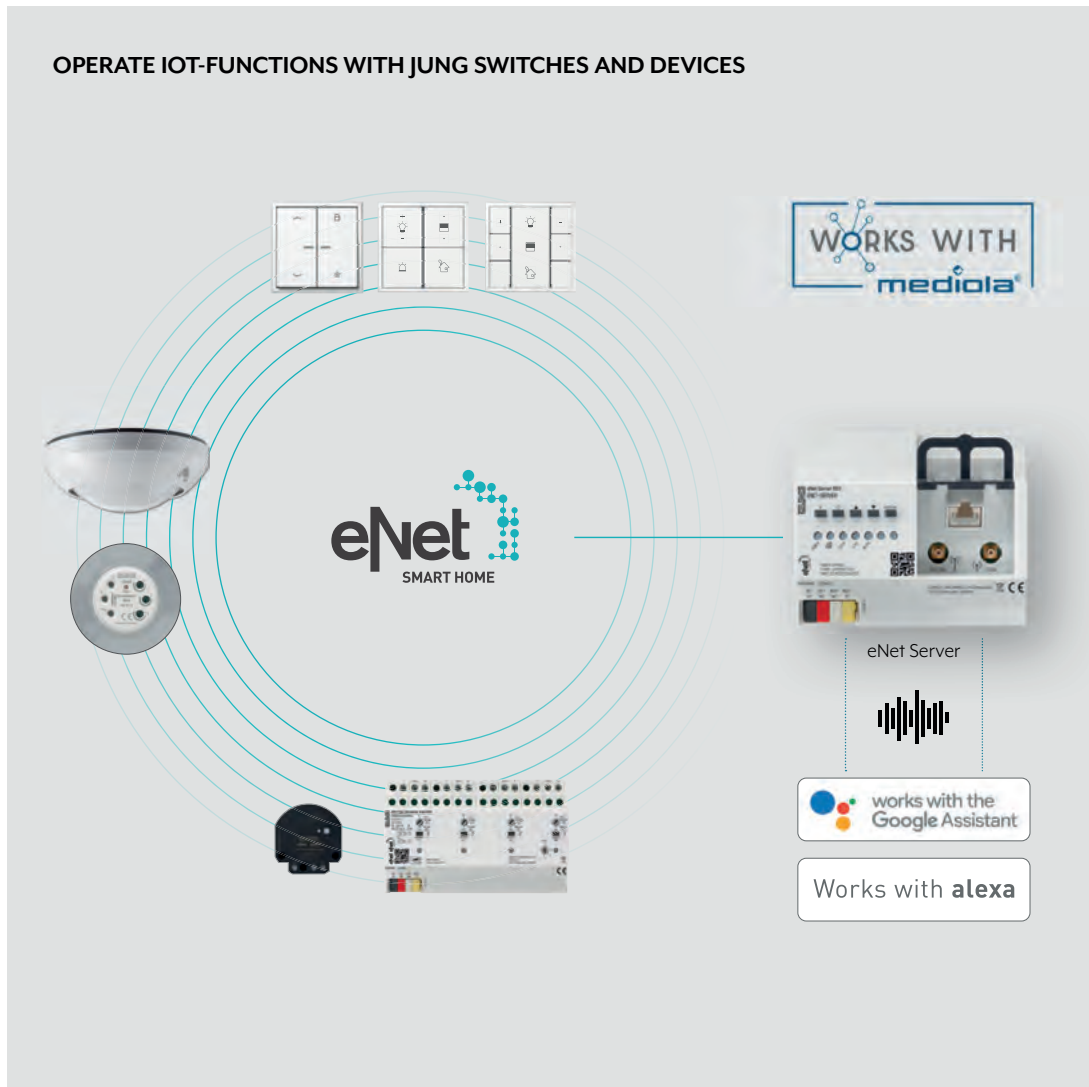
The battery-powered wall transmitters are simply placed where they are needed, independent of the electrical installation.



## eNet RECEIVERS

The receivers are available in various designs and can be installed according to local conditions.

# JUNG eNet SMART HOME meets IoT



With the connection to WORKS WITH mediola<sup>®</sup>, JUNG connects the eNet SMART HOME to the Internet of Things. This opens up numerous new possibilities for you to make your daily life more convenient and more secure.



The WORKS WITH mediola® is a system of the cloud and gateways. It combines numerous solutions from the Internet of Things. Consistent and matched to the interior, with mediola® and eNet SMART HOME you control, for example, your VELUX INTEGRA® roof windows with a press on a JUNG F 40 radio transmitter or with the mediola® app. In addition, you can control the music volume of your Sonos sound system with the same eNet push-button, as it can be allocated up to eight functions. To exhaust the new possibilities, alongside an eNet Server with remote access, a WORKS WITH mediola® AIO Gateway is required.



#### **LIGHT AND MUSIC: AMBIENCE AT THE TOUCH OF A BUTTON**

It makes no difference whether it is early in the morning, watching TV or during the evening meal: with Philips Hue, eNet SMART HOME and mediola®, you can always create the right lighting atmosphere at home.



#### **MORE SAFETY IN YOUR HOME**

Users of CO and smoke alarm devices from Eltako or Netatmo provide even more security with eNet SMART HOME and mediola: in this way, in an emergency, all connected shutters open automatically, escape routes are free and the fire brigade can reach the potential seat of the fire better.

© BERND GRUBER ALL RIGHTS RESERVED

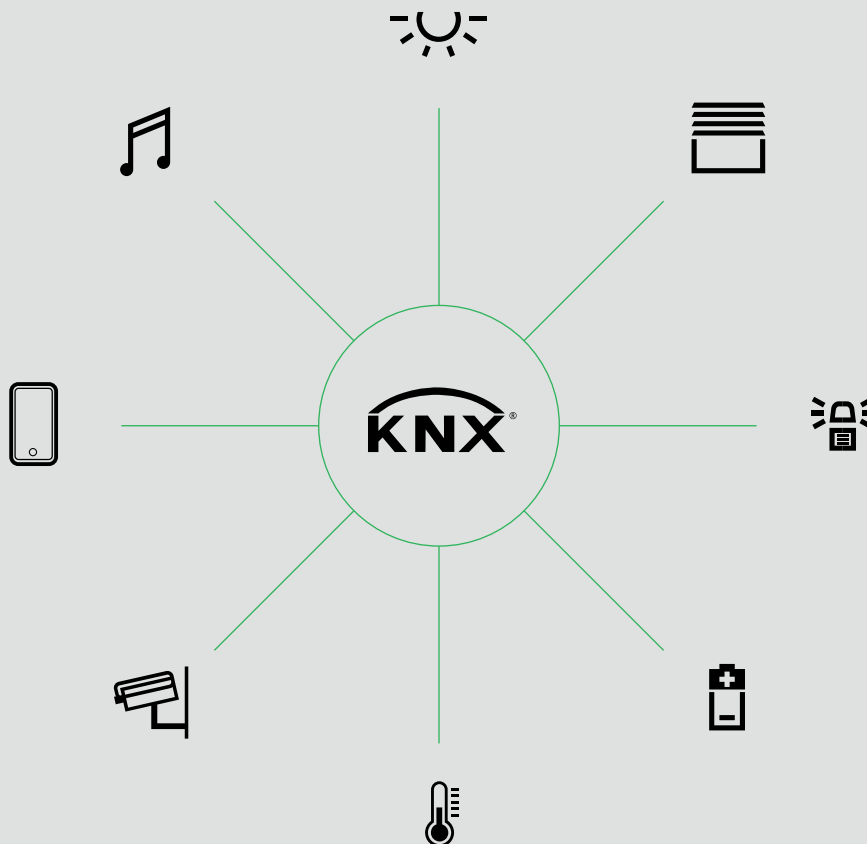




# JUNG KNX system



TRANSMISSION PATH:  
KNX BUS LINE



KNX is the only worldwide uniform standard for building automation technology, with currently 100,000 partners in 190 countries. More than 8,000 devices from over 500 manufacturers communicate with each other thanks to the KNX standard. The applications and functions are continuously extended. Connection to many other systems, protocols and standards is also possible with KNX.

# Smart home central unit

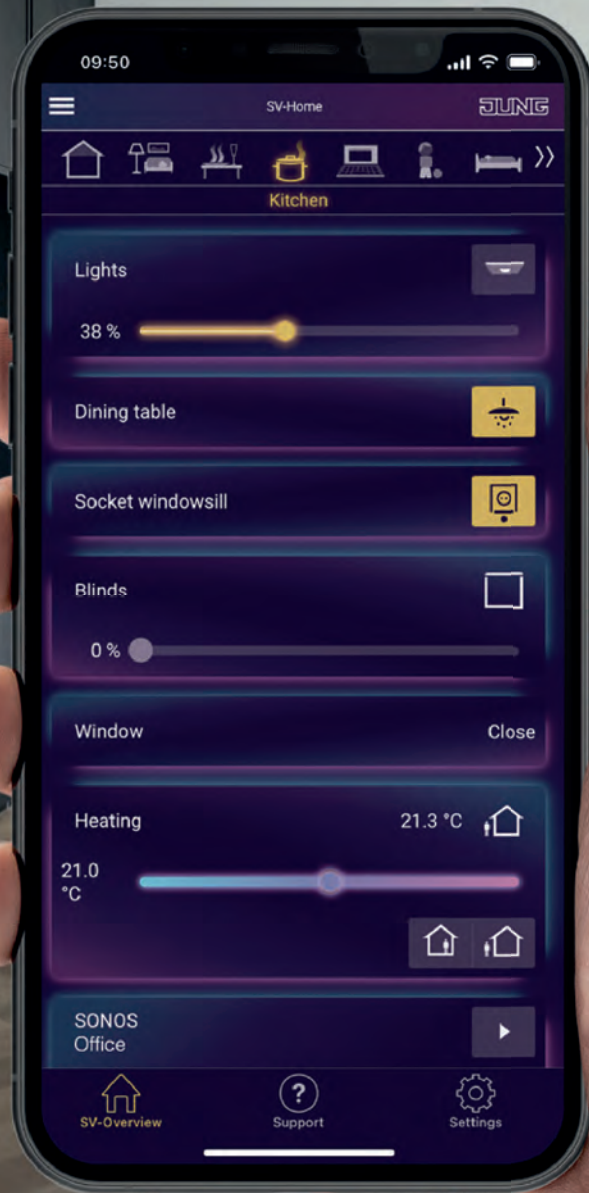
## JUNG SMART VISU SERVER



Perfect light at all times, living spaces heated as required, significantly more security – a Smart Home makes your life easier. The compact JUNG Smart Visu Server provides even more comfort. It visualises and controls all processes in the KNX system. Lighting, temperature, sun protection, music and more: Residents control all functions via the Smart Visu Server App using a smartphone or tablet.

Both at home and on the move with secured remote access, safe and convenient. Smart Home components such as Philips Hue or Sonos can also be easily integrated into the system with the server. KNX functions can be implemented quickly and inexpensively thanks to Smart Visu Server. The software can be updated and upgraded.





Smart Visu Server app

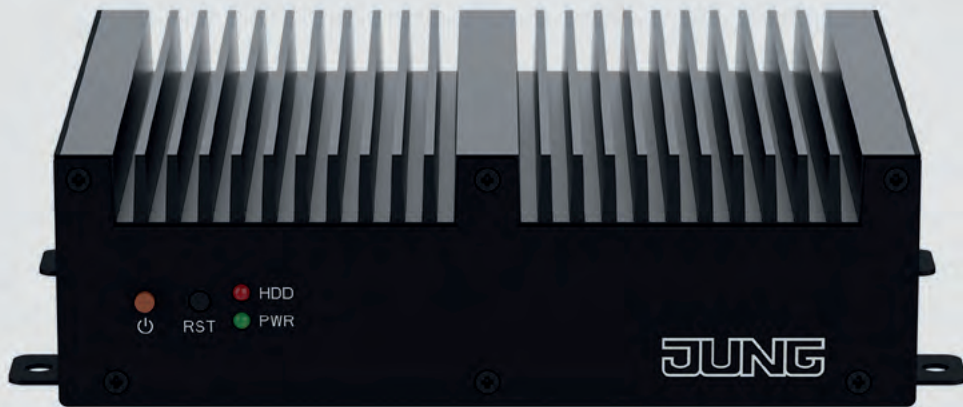






# Smart building central unit

## JUNG VISU PRO SERVER



The JUNG Visu Pro Server is suitable for complex KNX applications, both in the commercial as well as the private area. The universal talent provides a wide range of customisation options and maximum security.

The JUNG Visu Pro Server is the professional way to visualise and control building automation. Multiple, independent KNX systems can be operated and configured conveniently at the same time. In combination with Amazon Alexa or the Google Home Assistant, the Visu

Pro Server enables voice control of the building technology. Thanks to remote access, users can conveniently access the system while on the move. For extra security, the communication is encrypted with KNX Secure.

# Intelligent voice control

The connection of KNX building technology with the Internet of Things makes the home even more convenient. Important interface: the JUNG voice control.

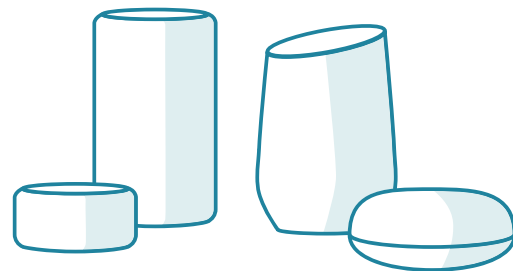
## KNX MEETS VOICE CONTROL

Your Smart Home listens to the word, thanks to the JUNG voice control. It is the crucial interface between future-proof KNX technology and the Internet of Things: The JUNG voice control must be activated in the Smart Visu Server or Visu Pro Server so that the subsystems behind the KNX technology become speech-compatible. The connection to the voice control is very simple and can be realised quickly by the specialist for his customer. In consultation with the customer, the system integrator selects the building functions that should be controlled.



## MANAGING VOICE COMMANDS

Users can customise voice commands for maximum convenience. Also subsequently. For example, an imprecise “switch on wall lamp” becomes a more specific “switch on the ceiling floodlight in the living room”. However, devices outside the KNX universe can also be integrated into the voice control system by the user. This is then linked to the KNX functions accordingly – thanks to the JUNG voice control interface.



Amazon Echo Studio  
Amazon Echo Dot

Google Nest Audio  
Google Nest Mini







Control panel  
JUNG Smart Control 5.

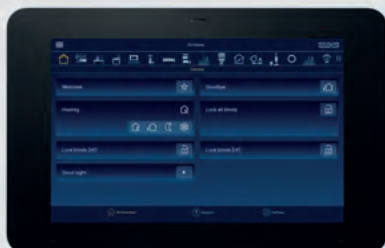


# Central operation using touch displays

## SMART PANEL 8 / 203 MM / 8"



Thanks to the large symbols and font, the presentation is clear and well arranged. With the Smart Vision smartphone and tablet app, users control the Smart Panel 8 over the local network.



Smart Control 8  
203 mm / 8"



Smart Control 5  
127 mm / 5"

Multifunctional touch displays for intelligent buildings: the Smart Control 5 and 8 take over the control and visualization of the KNX system. Thanks to the JUNG Launcher, all available applications are clearly displayed and can be called up directly by tapping on the respective icon. In this way, operation of the building technology becomes simple and convenient.

The high-resolution graphic display of the Smart Control 5 is reminiscent of the newest smartphones in respect of its appearance, brightness of the colours and sharpness. The new JUNG Smart Control 8 is a capacitive touch display for operating all functions from door communications to controlling the smart home. The 8-inch display (20.32 cm) has an HD screen.





# Central operation without a server

## SMART PANEL 8



Thanks to the large symbols and font, the display is clear and easily understood.

## SMART VISION APP



With the Smart Vision app for smartphones and tablets, you can also control the Smart Panel 8.

The Smart Panel 8 is a touch screen for direct KNX visualisation without an additional server: centrally on the wall and with an app for a smartphone or tablet. The JUNG Smart Panel 8 offers comprehensive possibilities for intuitive control of your KNX system. The app interface

is called JUNG Smart Vision and can be operated intuitively. Various rooms such as living room, bedroom, kitchen, etc. are set up in the main menu and provided with functions entirely as you wish. The Smart Panel 8 can be planned in at the time or added later.

# KNX room controller LS TOUCH

## LS TOUCH IN THE LS 990 RANGE



in stainless steel



in white



in Les Couleurs® Le Corbusier rouge vermillon 59



in Les Couleurs® Le Corbusier gris moyen

With the KNX room controller LS TOUCH, up to 32 smart home functions can be controlled within a room – from the lighting via the heating to the multimedia. The smart touch display in switch format combines simple, intuitive operation of functions with visualisation of the system. LS TOUCH is based on clear and easily understood symbols and the

operating philosophy is reminiscent of the operation of modern smartphones: the functions are called by swiping on the display. LS TOUCH is permanently connected with a 1-gang frame from the JUNG LS 990 or LS ZERO switch ranges and is available in a variety of materials and colours.





# KNX push-button F 10



## KNX PUSH-BUTTON F 10 STANDARD



in LS 990 in aluminium

## KNX PUSH-BUTTON F 10 STANDARD



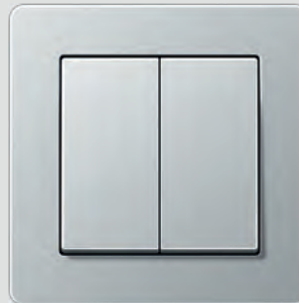
in A 550 in white

## KNX PUSH-BUTTON F 10 UNIVERSAL



in CD 500 in white

## KNX PUSH-BUTTON F 10 UNIVERSAL



in A FLOW in aluminium look

Smart functions, stylish design: The JUNG KNX push-button F 10 looks like a classic light switch, but masters intelligent KNX technology. Operation is particularly simple: The individual switching points can be assigned multiple times and are completely customisable. Available with covers and devices from the A, AS, CD and LS ranges, the KNX push-button F 10 integrates perfectly into any interior.



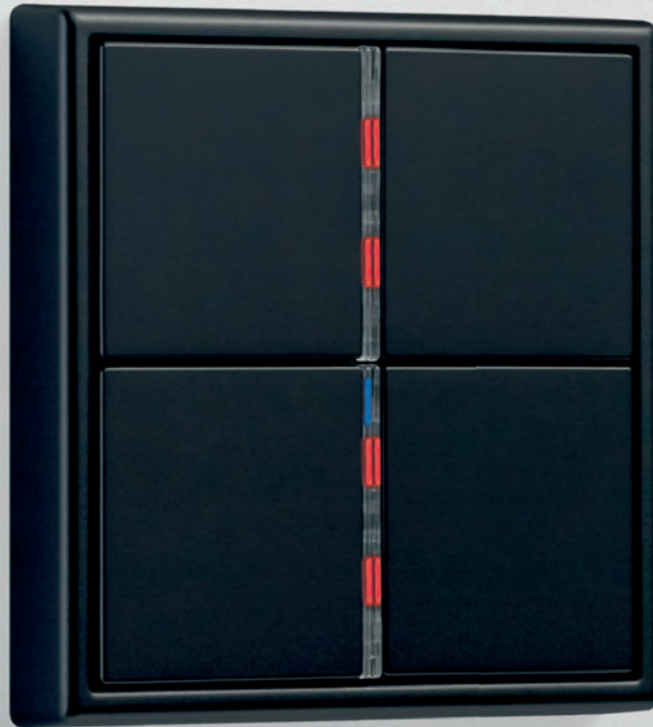
### KNX SECURE

Effective protection with AES128 encryption and double protection: KNX IP Secure encrypts the transmission at network layer. KNX Data Secure encrypts and authenticates the data on the KNX bus line.





KNX push-button F 10 in the range LS 990 in matt snow white



KNX push-button F 40 in the range LS 990 in matt graphite black



# KNX push-button F 40



## KNX PUSH-BUTTON



in LS 990 in stainless steel

## KNX PUSH-BUTTON RF



in LS 990 in stainless steel

## KNX COMPACT ROOM CONTROLLER



in LS 990 in stainless steel

## KNX PUSH-BUTTON



in LS 990 in stainless steel

The KNX push-button and room controllers of the F 40 family are designed for convenient operation via their large buttons. These are used to control both the classic room functions such as lighting, shutters and temperature as well as entire feel-good scenes or multimedia components.

These can be individually marked according to your wishes and intended use using the JUNG Graphic Tool for better function allocation. Centrally arranged, coloured LEDs for operation and status display round off the easy handling.

# KNX push-button F 50



## KNX PUSH-BUTTON



in LS 990 in aluminium

## KNX PUSH-BUTTON RF



in LS 990 in aluminium

## KNX COMPACT ROOM CONTROLLER



in LS 990 in aluminium

## KNX ROOM TEMPERATURE CONTROLLER



in LS 990 in aluminium

The KNX push-button F 50 in the design of the AS, A, CD and LS ranges are impressive with their homogeneous surface appearance and harmonious overall appearance. The components are uniformly designed with

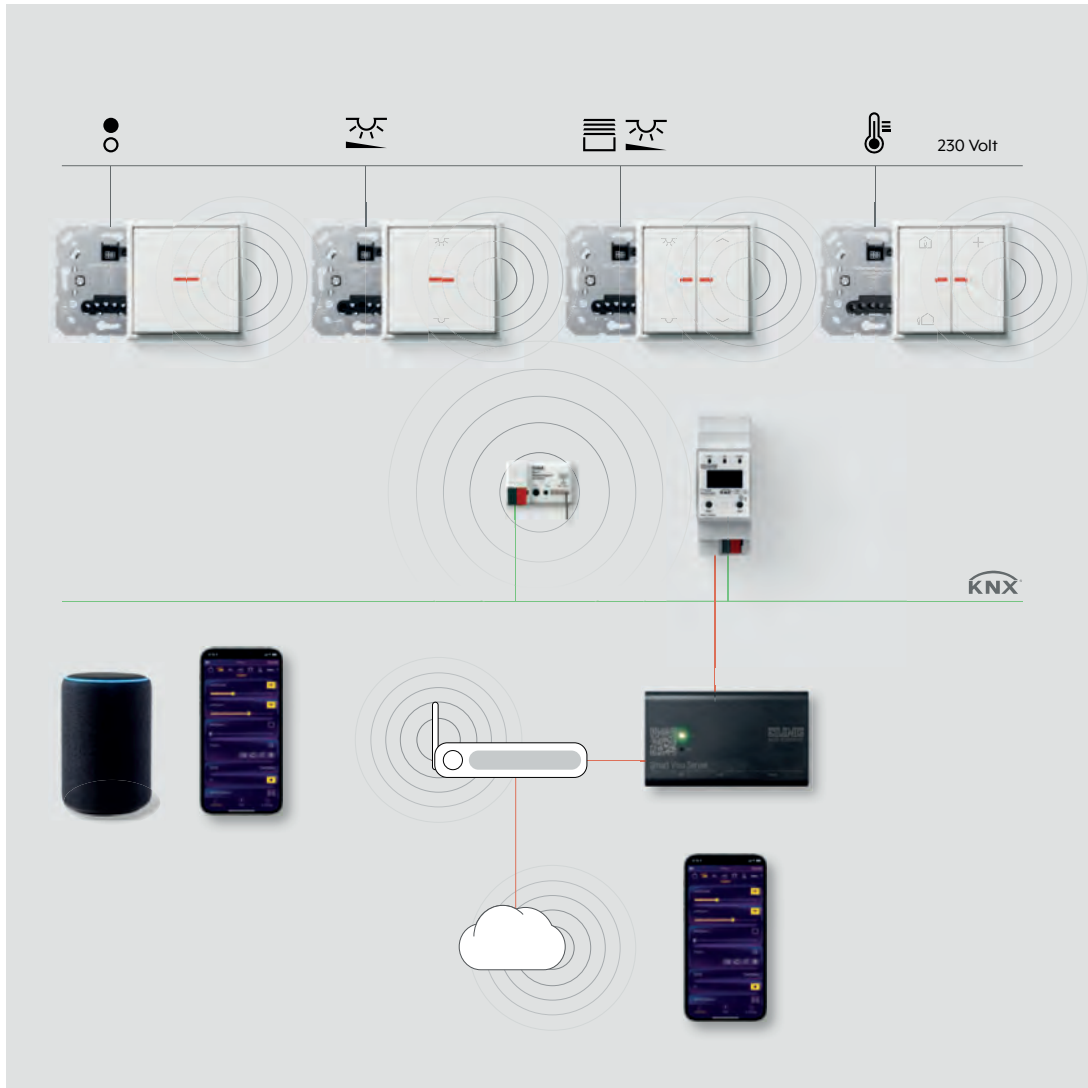
operating buttons on the left and right and a large display or cover in the middle. The cover is available either as a transparent labelling area or matching the button colour.





KNX push-button F 50 in the range LS 990 in matt snow white

# Conventional gets smart



Smart living with the KNX RF radio standard (RF = radio frequency) in the JUNG design: KNX RF devices bridge structural conditions where no bus lines can or should be installed. In this way, the JUNG KNX RF push-buttons make the classic 230 volt installation smart – wireless and without additional cables needing to be

laid. At the position where a conventional light switch used to be, a smart home control unit can be found. Connected with a JUNG Server, users get a fully functional smart home including voice control, visualisation and operation with a smartphone or tablet.





KNX RF push-button  
in the LS 990 range



Triple combination of a hotel installation in the range LS 990 in dark



# The new GRAPHIC TOOL

## LASER ENGRAVING



The laser engraving process enables contours of symbols, texts and ornaments due to the precise removal of the surface.

## COLOUR PRINTING



The abrasion-resistant colour printing provides numerous possibilities for individual design.

## LABELLING

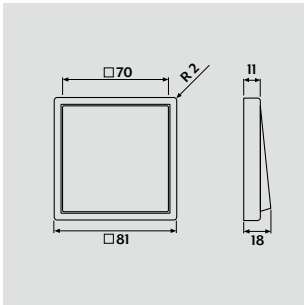


Integrated inscription fields can be designated via labelling process. This optimises the assignment of functions.

With the GRAPHIC TOOL, you can design switches, sockets, KNX push-buttons, room controllers and many other devices completely individually. You can customise all of these operating elements online with symbols, text or logos.

The JUNG GRAPHIC TOOL supports laser engraving, colour printing and identification of inscription fields. The procedure used depends on your personal demands and the individual product and material.

LS 990



**Plastic**

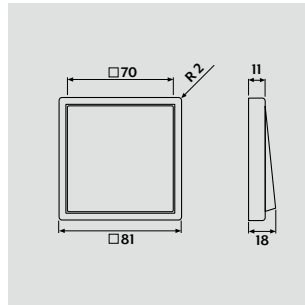
|                     |  |
|---------------------|--|
| ivory               |  |
| white               |  |
| matt snow white     |  |
| light grey          |  |
| black               |  |
| matt graphite black |  |

**SILVERPLUS®**

|       |  |
|-------|--|
| white |  |
|-------|--|

The special JUNG SILVERPLUS® material technology has an antimicrobial effect and reduces the number of germs on surfaces. The broad spectrum effect of SILVERPLUS® includes fungi and enveloped viruses such as SARS\_CoV-2 virus in addition to bacteria.

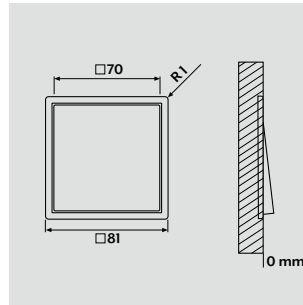
LS 990



**Metal**

|                 |  |
|-----------------|--|
| aluminium       |  |
| stainless steel |  |
| anthracite*     |  |
| dark*           |  |
| chrome          |  |
| golden          |  |
| gold-plated     |  |
| classic brass   |  |
| antique brass   |  |

LS ZERO

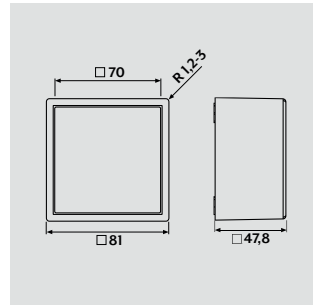


**Plastic (frames)**

|                     |  |
|---------------------|--|
| aluminium           |  |
| stainless steel     |  |
| dark                |  |
| classic brass       |  |
| white               |  |
| matt snow white     |  |
| matt graphite black |  |

The covers can be selected from the colour and material spectrum of the LS range.

LS CUBE



**Plastic (frames)**

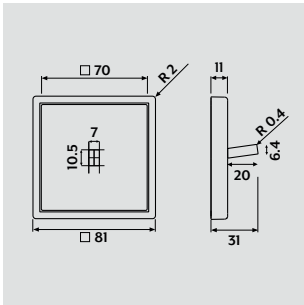
|                     |  |
|---------------------|--|
| aluminium           |  |
| stainless steel     |  |
| ivory               |  |
| white               |  |
| matt snow white     |  |
| black               |  |
| matt graphite black |  |

The covers can be selected from the colour and material spectrum of the LS range.

\* (lacquered aluminium)



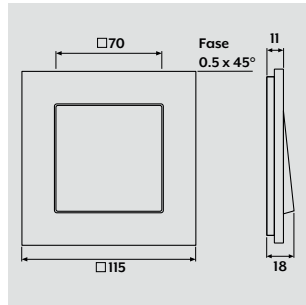
LS 1912

**Metal**

|                      |  |
|----------------------|--|
| aluminium            |  |
| stainless steel      |  |
| dark*                |  |
| classic brass        |  |
| chrome               |  |
| matt snow white*     |  |
| matt graphite black* |  |

The shape and material of the toggle switches in LS 1912 are matched to each other. Cylinder and cone are available in aluminium, stainless steel, classic or dark brass. The cube version is available in chrome.

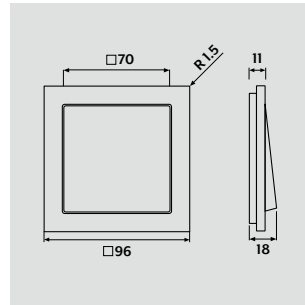
LS PLUS

**Glass (frames)**

|            |  |
|------------|--|
| matt white |  |
| white      |  |
| black      |  |

The covers can be selected from the colour and material spectrum of the LS range.

LS DESIGN

**Metal**

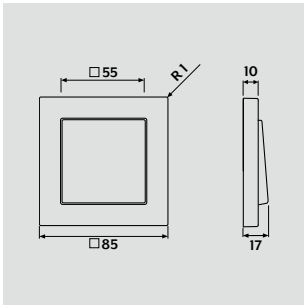
|                 |  |
|-----------------|--|
| aluminium       |  |
| stainless steel |  |
| anthracite*     |  |
| dark*           |  |
| chrome          |  |
| classic brass   |  |
| antique brass   |  |

**Plastic**

|            |  |
|------------|--|
| ivory      |  |
| white      |  |
| light grey |  |
| black      |  |

\* (lacquered aluminium)

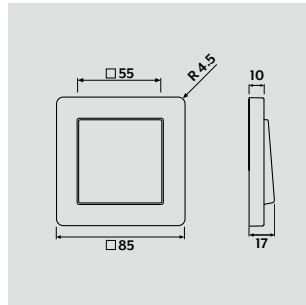
A 550



**Plastic**

|                     |  |
|---------------------|--|
| white               |  |
| matt snow white     |  |
| black               |  |
| matt graphite black |  |
| aluminium           |  |
| matt anthracite     |  |

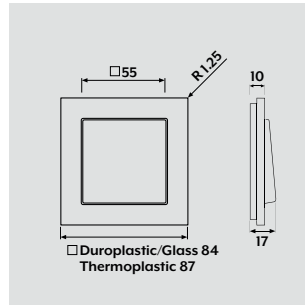
A FLOW



**Plastic**

|                     |  |
|---------------------|--|
| white               |  |
| matt snow white     |  |
| black               |  |
| matt graphite black |  |
| aluminium           |  |
| matt anthracite     |  |

A CREATION



**Plastic (frames)**

|                 |  |
|-----------------|--|
| white           |  |
| black           |  |
| aluminium       |  |
| champagne       |  |
| mocha           |  |
| matt anthracite |  |

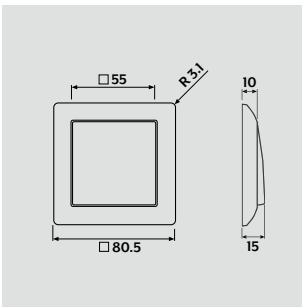
**Glass (frames)**

|            |  |
|------------|--|
| black      |  |
| red        |  |
| blue-grey  |  |
| matt white |  |
| white      |  |
| silver     |  |
| champagne  |  |
| mocha      |  |

The covers can be selected from the colour spectrum of the A range.



AS 500



**Plastic**

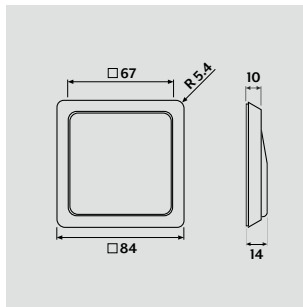
- ivory
- white

**SILVERPLUS®**

- white

The special JUNG SILVERPLUS® material technology has an antimicrobial effect and reduces the number of germs on surfaces. The broad spectrum effect of SILVERPLUS® includes fungi and enveloped viruses such as SARS\_CoV-2 virus in addition to bacteria.

CD PLUS



**Plastic (frames)**

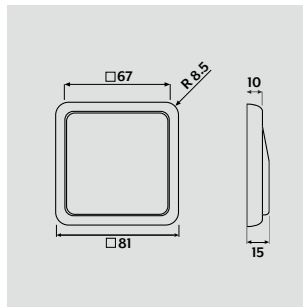
- white
- light grey
- black

**Colour application**

- light grey
- yellow
- light green
- stainless steel
- granite
- metallic green
- metallic black
- metallic blue
- metallic red
- chrome
- gold

The covers can be selected from the colour and material spectrum of the CD range.

CD 500



**Plastic**

- ivory
- white
- brown
- grey
- light grey
- black

**Metal**

- Platinum
- Gold-Bronze

# LS 990 in Les Couleurs® Le Corbusier

The colour palette of 1931

Basic colour



**32001**  
blanc  
HBW 72



**32010**  
gris foncé 31  
HBW 12



**32020**  
bleu outremer 31  
HBW 16



**32030**  
bleu céruléen 31  
HBW 14



**32040**  
vert anglais  
HBW 13



**32050**  
vert foncé  
HBW 12

Brightening

The 1931 colour palette includes 43 colours in 14 series. Each series consists of one solid colour and up to four graduated brightenings.



**32011**  
gris 31  
HBW 29



**32021**  
outremer moyen  
HBW 40



**32031**  
céruléen vif  
HBW 30



**32041**  
vert anglais clair  
HBW 39



**32051**  
vert 31  
HBW 32



**32012**  
gris moyen  
HBW 39



**32022**  
outremer clair  
HBW 49



**32032**  
céruléen moyen  
HBW 42



**32042**  
vert anglais pâle  
HBW 57



**32052**  
vert clair  
HBW 49



**32013**  
gris clair 31  
HBW 49



**32023**  
outremer pâle  
HBW 54



**32033**  
céruléen clair  
HBW 52



**32053**  
vert jaune clair  
HBW 61



**32024**  
outremer gris  
HBW 75



**32034**  
céruléen pâle  
HBW 64

The colour keyboard of 1959



**4320A**  
rouge vermillon 59  
HBW 13



**4320B**  
blanc ivoire  
HBW 79



**4320C**  
rose vif  
HBW 45



**4320D**  
terre sienne brûlée 59  
HBW 9



**4320N**  
bleu céruléen 59  
HBW 35



**4320O**  
gris clair 59  
HBW 30

In 1959, Le Corbusier expanded the Polychromie Architecturale with 20 more intense colours and an additional colour keyboard.



**4320U**  
gris foncé 59  
HBW 13



**4320W**  
le jaune vif  
HBW 67



**4320J**  
terre d'ombre brûlée 59  
HBW 5



**4320K**  
bleu outremer 59  
HBW 11



**4320L**  
ocre jaune clair  
HBW 49



**4320M**  
le rubis  
HBW 7





**32060**  
ocre  
HBW 66



**32080**  
orange  
HBW 27



**32090**  
rouge vermillon 31  
HBW 10



**32100**  
rouge carmin  
HBW 10



**32110**  
l'ocre rouge  
HBW 12



**32120**  
terre sienne  
brûlée 31  
HBW 8



**32130**  
terre d'ombre  
brûlée 31  
HBW 7



**32140**  
ombre  
naturelle 31  
HBW 9



**32081**  
orange clair  
HBW 36



**32091**  
rose pâle  
HBW 65



**32101**  
rouge rubia  
HBW 10



**32111**  
l'ocre rouge  
moyen  
HBW 38



**32121**  
terre sienne  
brique  
HBW 25



**32131**  
ombre brûlée  
claire  
HBW 38



**32141**  
ombre naturelle  
moyenne  
HBW 27



**32082**  
orange pâle  
HBW 64



**32102**  
rose clair  
HBW 48



**32112**  
l'ocre rouge  
clair  
HBW 55



**32122**  
terre sienne  
claire 31  
HBW 50



**32142**  
ombre naturelle  
claire  
HBW 42



**32123**  
terre sienne pâle  
HBW 62



**4320P**  
terre sienne  
claire 59  
HBW 56



**4320R**  
ombre  
naturelle 59  
HBW 6



**4320E**  
noir d'ivoire  
HBW 4



**4320F**  
vert olive vif  
HBW 36



**4320G**  
vert 59  
HBW 22



**4320H**  
gris 59  
HBW 23



**4320S**  
orange vif  
HBW 20



**4320T**  
bleu outremer  
foncé  
HBW 5





# Cradle to Cradle: a cycle where nothing is lost

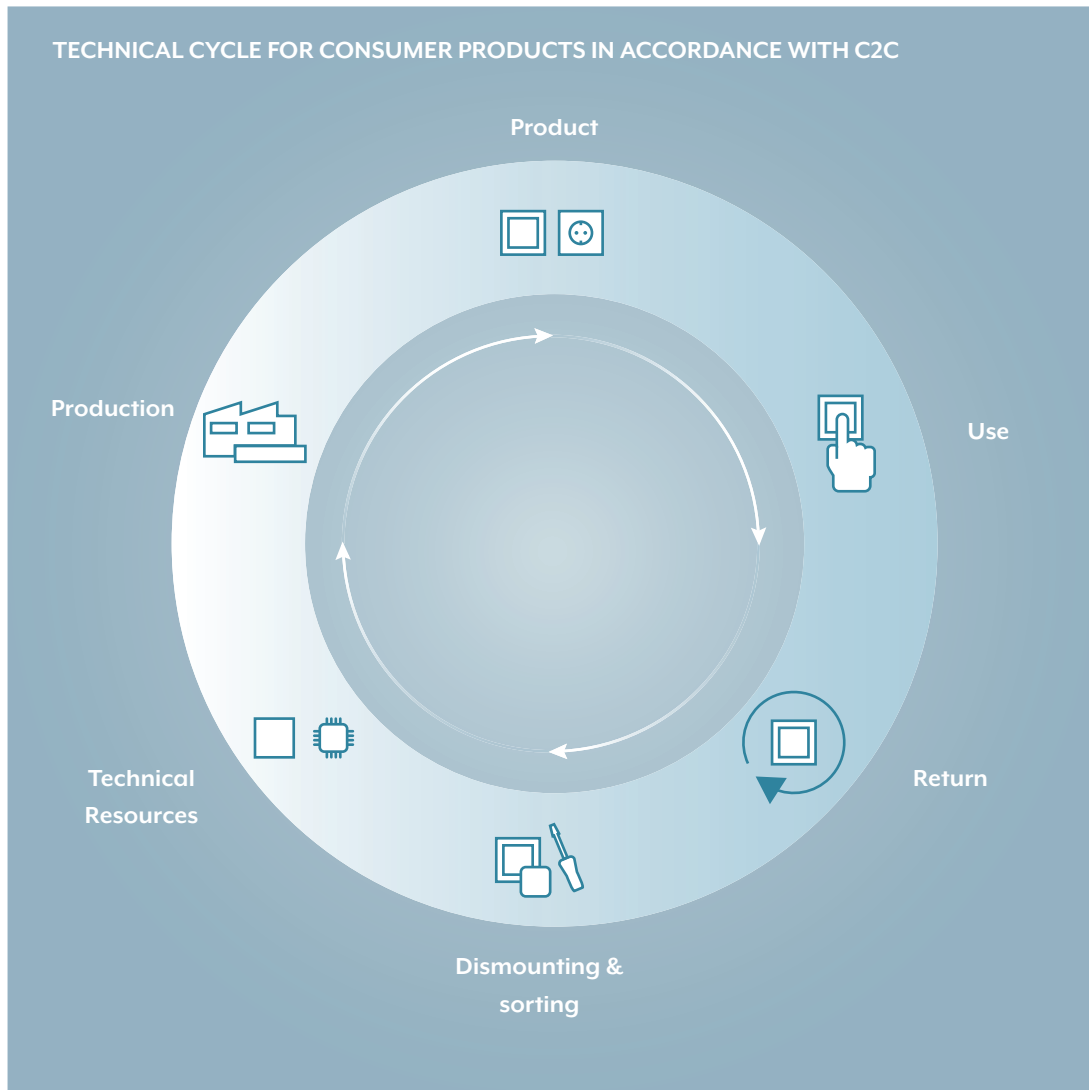
The idea of circular products brings climate and resource protection together and represents an important contribution for more sustainability in the building industry. For this reason, we have subjected the most-used inserts and switch ranges for conventional and smart building technology to a comprehensive Cradle-to-Cradle certification.

Cradle to Cradle Certified® is the international standard for sustainable, circular-ready and responsible products. As the name Cradle to Cradle implies, the process involves investigating the entire value-added chain to ensure that the products have no negative influence on people and the environment in their complete product lifecycle. All materials used can either be returned to the biological cycle after use or remain in a technical cycle permanently through recycling and reuse.

All certified JUNG ranges are produced using renewable energy, can be separated into material types and in this way can be added to the recycling cycle. Evidenced by the C2C Material Health certification, no environmentally damaging chemicals are used in the products.

The detailed list of the certified products and the certificate itself can be seen on the C2C web page: [jung.group/c2c](http://jung.group/c2c)

# Cradle to Cradle – for the first time with KNX products



The LS 990, AS 500, A 550, A FLOW, LS CUBE and A CREATION ranges have been awarded the Cradle to Cradle (C2C) and Material Health certificates after a rigorous testing process.

**LS 990**1-gang  
push-buttonF 50  
push-buttonF 40  
push-buttonSCHUKO®  
socketAutomatic  
switch**A 550**1-gang  
push-buttonF 50  
push-buttonF 40  
push-buttonSCHUKO®  
socketAutomatic  
switch**AS 500**1-gang  
push-buttonF 50  
push-buttonF 40  
push-buttonSCHUKO®  
socketAutomatic  
switch

Cradle to Cradle Certified® Bronze for numerous products including extremely difficult KNX sensors in the LS, AS and A ranges: over 50 individual products from switches to push-buttons, from frames to inserts and classic sockets, the latter with USB sockets or Safety Plus insert, from centre plates to complete modules all received the coveted distinction. In the process, a particular challenge was the certification of the

complete KNX modules such as the push-button module or the room controller display module with all their small parts and difficult technology. The certification of the JUNG KNX sensors and the KNX motion detectors with the BRONZE status is a great success for the industry. We have achieved this as the worldwide sole manufacturer.



## Discover the variety



JUNG AR Studio is installed quickly and easily. The app is available via the Apple App Store. Simply print out the Experience Marker after the installation. Attach it to the place where the switch should be installed later. AR Studio shows you the selected JUNG product in the live image of your smartphone.



# Follow the inspiration



Follow JUNG on Pinterest and Instagram if you are always looking for new ideas and inspiration. On these channels you will discover inspiring designs and fascinating technology staged in high quality.



INSTAGRAM



**ALBRECHT JUNG GMBH & CO. KG**

P.O. Box 1320

58569 Schalksmühle

Germany

Phone +49 2355 806-0

Fax +49 2355 806-204

[international@jung.de](mailto:international@jung.de)

For sales contacts in your country see:

[jung.group./contact](http://jung.group./contact)

**JUNG-GROUP.COM**